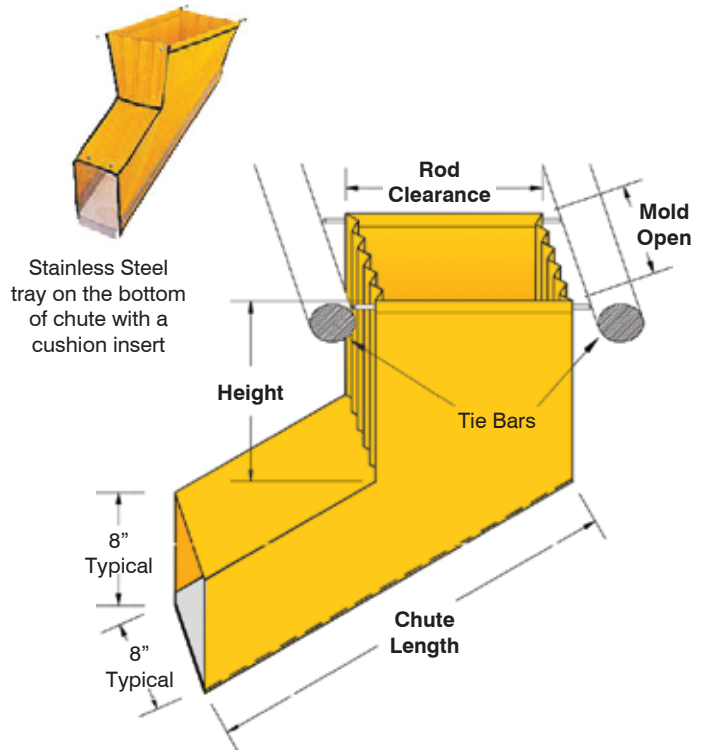
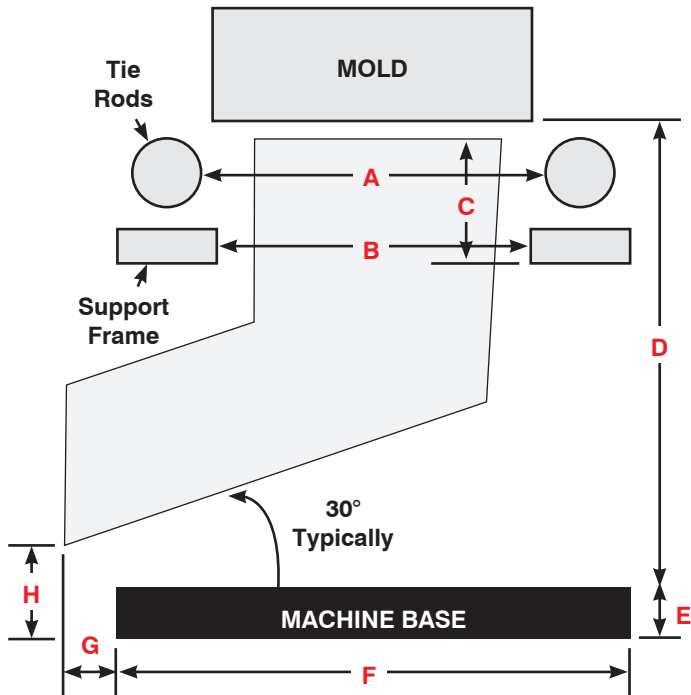


Custom Detachable Guidesskirts Request Form



1. Mold Open (daylight): _____ (24" Max)
2. (A) Width between tie rods: _____
3. (B) Width between frame: _____
4. (C) Clearance Height (chute): _____
5. (D) Machine Clearance mold to base: _____
6. (E) Base to floor: _____
7. (F) Width of base: _____
8. (G) Desired extension past base: _____
9. (H) Desired discharge height: _____
10. Size of parts: _____ L x _____ W x _____ H
11. Runner system: No Yes
12. Size of runner: _____ L x _____ W x _____ H
13. Do you require high temp material (for parts over 180°): No Yes
14. Style: Hard Bottom Soft Bottom

All dimensions must be completed in order for a Quote to be given.

All guidesskirts come with mounting hardware.

Date: _____ Quantity: _____ Phone: (_____) _____ Fax: (_____) _____

Name: _____ Title: _____

Company Name: _____ Email: _____

Address: _____

City: _____ State: _____ Zip: _____



www.imscompany.com

fax order toll-free (USA & Canada)

1.888.288.6900

phone order toll-free (Mexico)

001.888.304.1307

tech support toll-free (USA & Canada)

1.866.467.9001

e-mail

sales@imscompany.com

phone order toll-free (USA & Canada) **1.800.537.5375**

Please refer to imscompany.com for current pricing ©Copyright 2021 IMS Company. All rights reserved.